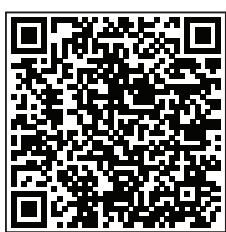


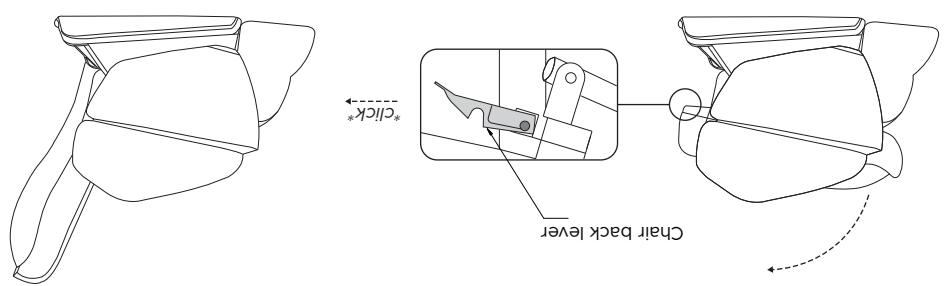
If anything is missing, please contact INFINITY at 603-910-5000. Do not return to the place of purchase.

Step 1: Carefully check box contents to the detail below, making sure all contents are accounted for.

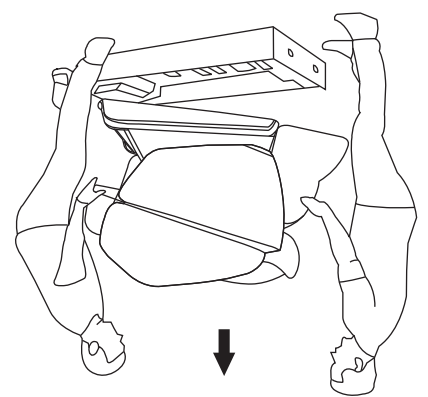


Or Scan Code

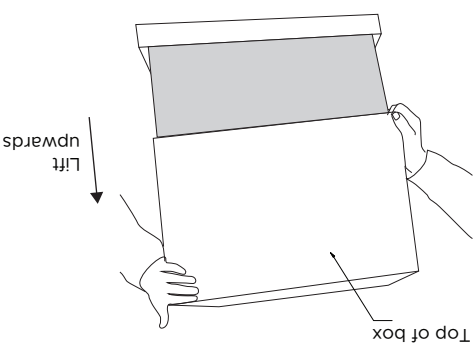
www.infinitymassagechairs.com/assembly-tutorials to watch an assembly video.



Step 4: From the front of the chair pivot the seat back upright until the chair back lever clicks into place. Remove the protective covering from the arm panels and footrest.

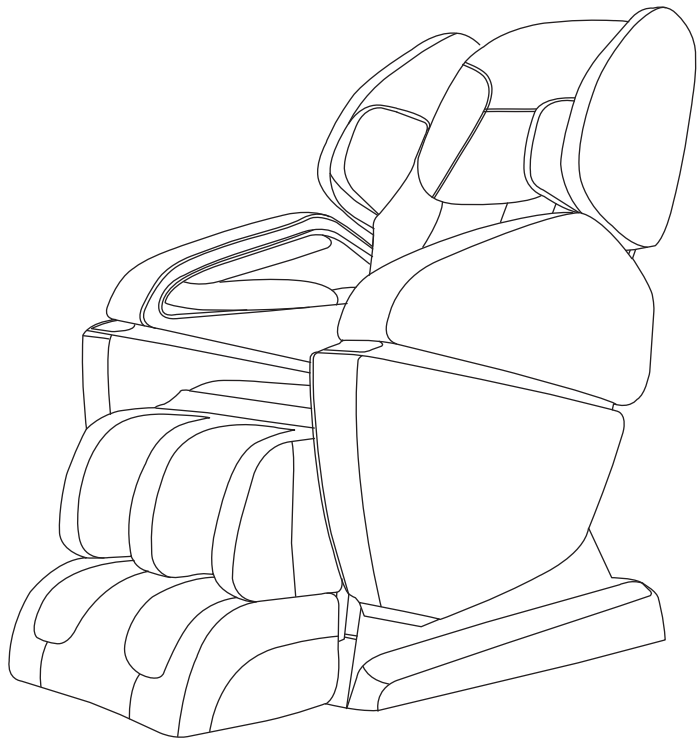


Step 3: With a partner, lift the chair out of the box. Remove the shoulder panels from underneath the foot well and place them to the side.



Step 2: Open the box and remove the packaging materials.

Final Check:



Power on the remote and select a program to start a session.



Review chair for smooth operation. If things are not operating correctly, review all assembly steps. Call Infinity support at 1-603-910-5000 if you need live US-based support.

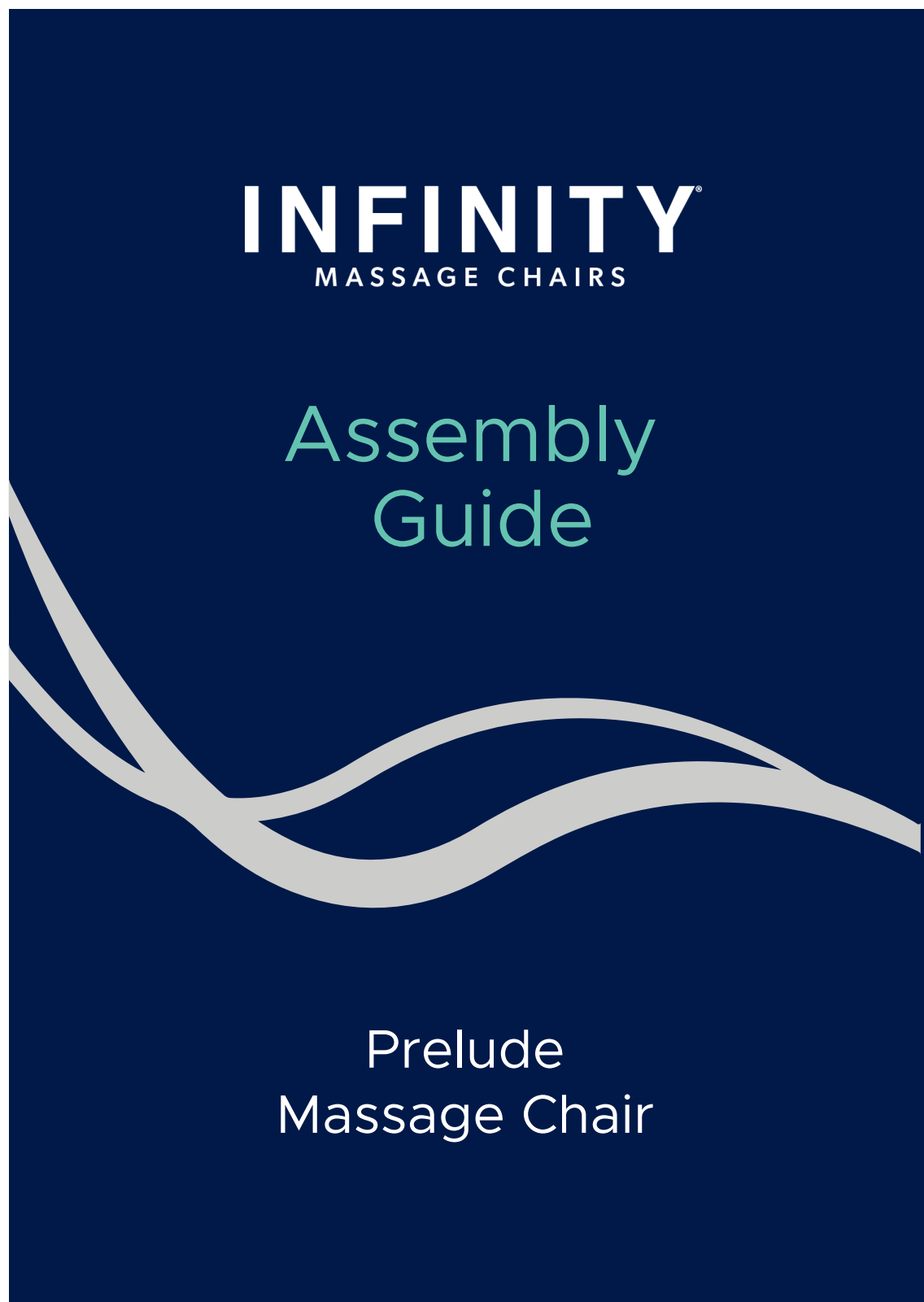
You are done; time for a Massage!

Go to www.infinitymassagechairs.com/warranty to register your chair and enable full support for your warranty.

INFINITY

72 Stard Road, Seabrook, NH 03874 (603) 910-5000 www.infinitymassagechairs.com

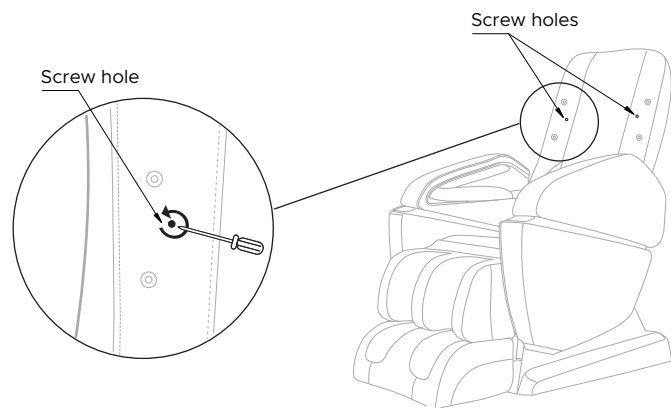
Version 1.2



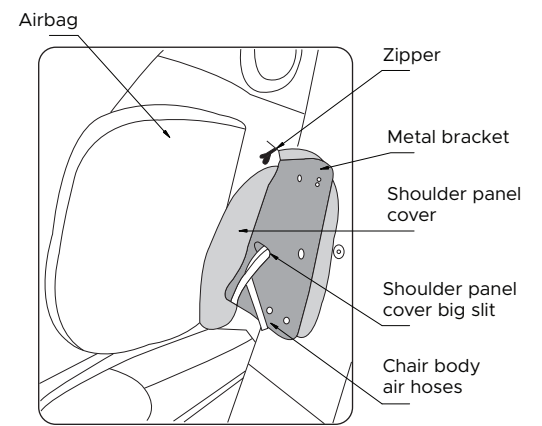
INFINITY

MASSAGE CHAIRS

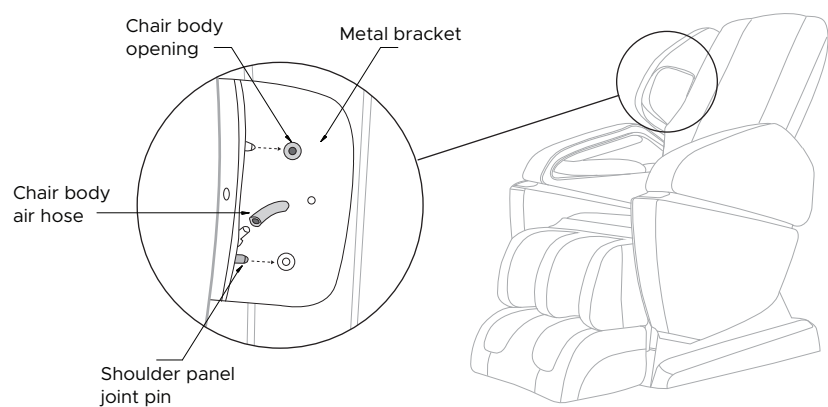
- 5 Step 5:** Using the screwdriver provided, remove the screws from the screw holes located at shoulder height on the seat back.



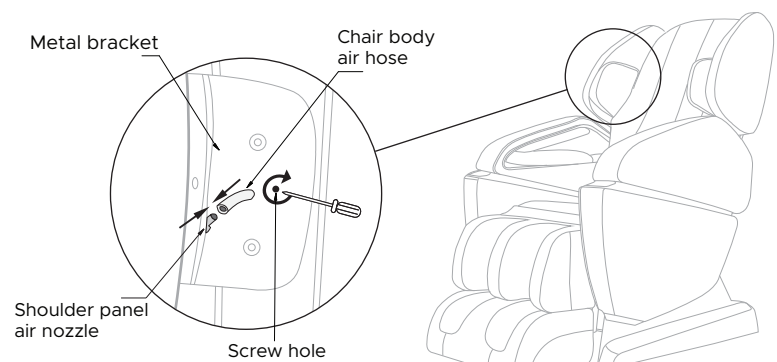
- 6 Step 6:** Before attaching the shoulder panels, ensure the airbag is toward front of chair and unzip the shoulder panel cover to expose the metal bracket. Thread the chair body air hose nozzle through the big slit in the shoulder panel cover.



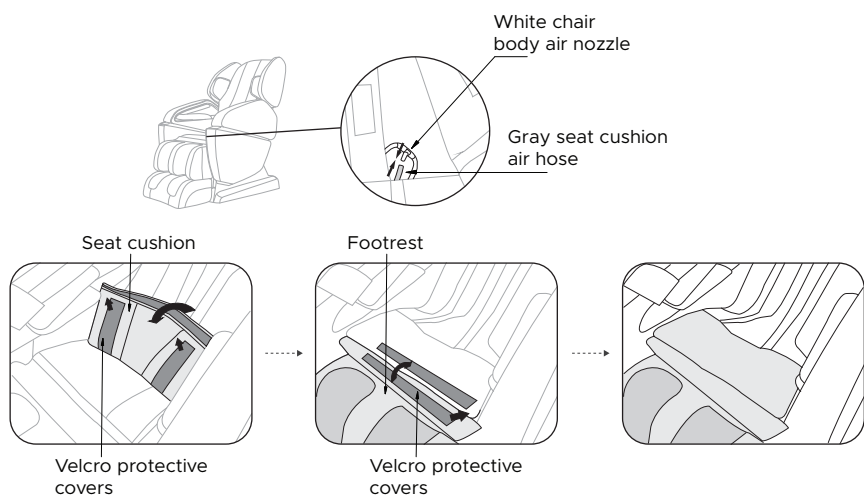
- 7 Step 7:** Slide the shoulder panel joint pins into the opening on the chair body until the shoulder panel secures into place.



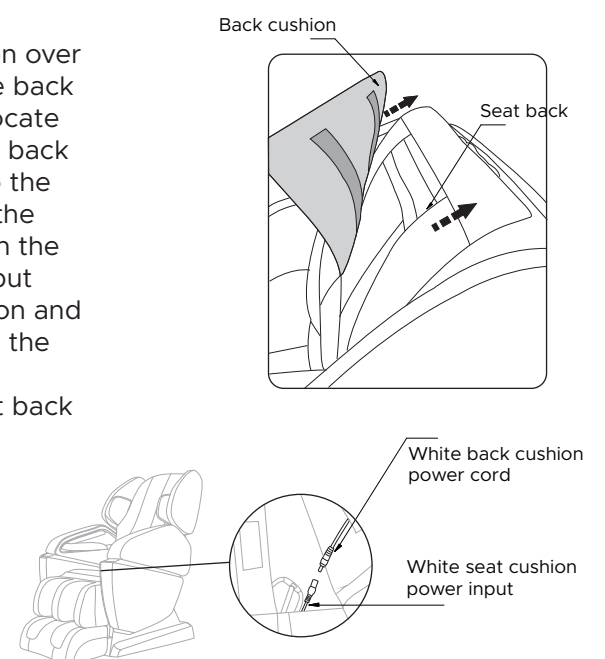
- 8 Step 8:** Insert the screw back into the screw hole to fasten the shoulder panel to the body of the chair. Tighten with screwdriver. Connect the shoulder panel air nozzle to the white air hose on the body of the chair. Close the zipper around the metal bracket. Repeat on the other side.



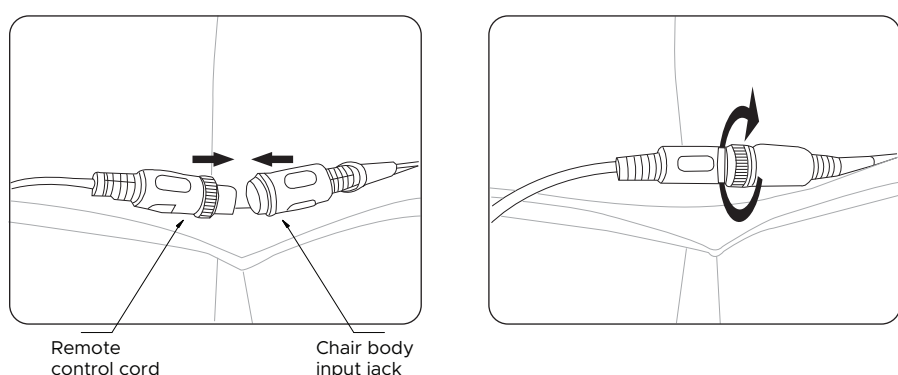
- 9 Step 9:** Connect the gray air hose from the seat cushion to the white air nozzle on the body of the chair. Remove and discard the protective covering from the footrest velcro. Attach the velcro from the footrest to the velcro on the chair body. Place the seat cushion on top of the footrest flap, making sure to align the two velcro's underneath.



- 10 Step 10:** Drape the back cushion over the seatback. Near the back of the seat cushion, locate and connect the white back cushion power cord to the white power input on the body of the chair. Push the air hose and power input behind the back cushion and velcro back cushion to the chair body. Push seat cushion snugly against back cushion.



- 11 Step 11:** Plug the remote control cord into the input jack located at the back of the seat cushion, on the right-hip side of the chair. Ensure the arrow on the top of the remote cord is aligned with the arrow on the input jack. Gently push together. Fasten by screwing together.



- 12 Step 12:** Connect the chairs power cord to a grounded 110V electrical outlet and plug it into the respective port on the back side of the base of the chair. Flip the main power switch to on.

